

# ▶ BOBm2

BOBm2 is a fully rugged PDA with true VGA resolution (480 x 640). It is based on the Intel Xscale PXA270 - 624 MHZ CPU with 128 MB RAM and 128 MB Flash ROM. OS: Windows CE.NET 5.0 or Windows Mobile 2005. The display is a 4", VGA sunlight readable transfective TFT LCD. Five way cursor key and four programable buttons. Built-in speakers and vehicle adapter. Expansion possibilities: GPS, WLAN, GSM/GPRS, Bluetooth.

**Built to survive!**



The BOBm2 is built around a magnesium casing and meets strict environmental standards such as MIL-STD-810F (altitude, high/low temperature, humidity, salt fog, vibration and shock) and MIL-STD-461E (electromagnetic compatibility).

BOBm2 meets IP 65, which means it is dust proof and protected from temporary water sprays.

BOBm2 is built for such military applications as:

- Field Operations in harsh environments
- Naval
- Vehicle

## ▶ BOBm2 (DA05M)

### ▶ Specifications\*

624 MHz Intel Xscale PXA270 CPU  
Microsoft Windows CE.NET 5.0 or Windows Mobile 2005  
128 MB RAM - 128 MB Flash ROM (NAND)  
4" VGA (480 x 640) sunlight readable transfective TFT LCD  
Nvidia 4800 Graphics  
Built-in speaker  
Resistive Touch Screen (Works with gloves, stylus etc.)

#### External Ports:

USB 2.0 host x 1 (standard connector), USB 1.1 client x 1 (mini connector)  
Serial x 1 (DB9 Rs232) , SDIO x 1, PCMCIA x 1 (type II, compact flash slot is still available via optional PCMCIA to CF adapter)  
External microphone/earphone jack, DC jack (built-in 12-32 V DC), Docking Connector

#### Internal Ports:

USB x 1 (host #2, for WLAN & expansion)  
Serial x 2 (TTL, COM2 full function, COM3 TX/RX only)  
Expansion x 1 (USB host #3, USB host #4, COM2, COM3)  
Microphone/Speaker

**Indicators:** GSM (green), Charge (orange), Wireless (blue)

**Battery:** Primary Lithium-Ion 3.6V 3900 mAH rechargeable smart battery.  
Internal backup battery, 100mAH Lithium-Polymer, to sustain data while swapping primary battery.

**Dimensions:** 90 mm (W) x 150 mm (H) x 33 mm (D) **Weight:** 450g

**AC Adapter:** AC 110/220 V, DC 10V/3.5A output.

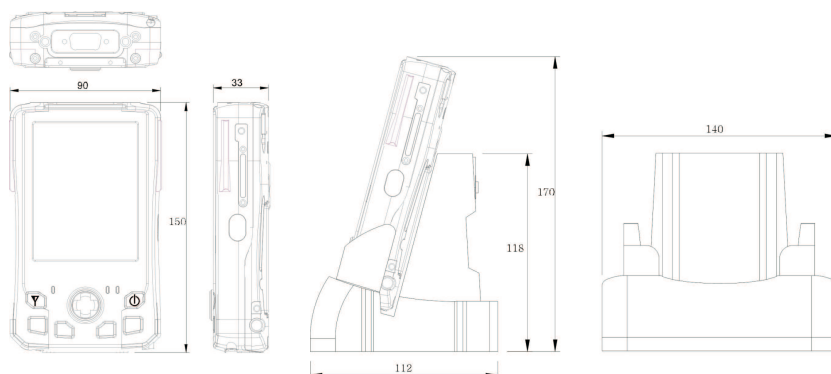
### ▶ Options\*

**Wireless devices:** WLAN 802.11b,g, Bluetooth 2.0, GSM/GPRS/EDGE (only with Windows Mobile 2005), GPS (does not trade of external Serial port)

**Cradle:** 1 x COM, 2 x USB, 1 x USB client, DC, optional LAN

**Spare Battery:** 3.6 V 3900 mAH Lithium-Ion rechargeable smart battery

**Extra Battery:** 3.6 V 7800 mAH Lithium-Ion rechargeable smart battery



LogIn Crete AB  
Box 22079, 250 22 Helsingborg  
Tel +46 42 250000, Fax +46 42 250025  
email info@login.se  
www.login.se

\* Login reserves the right to update the information at any time without notice.